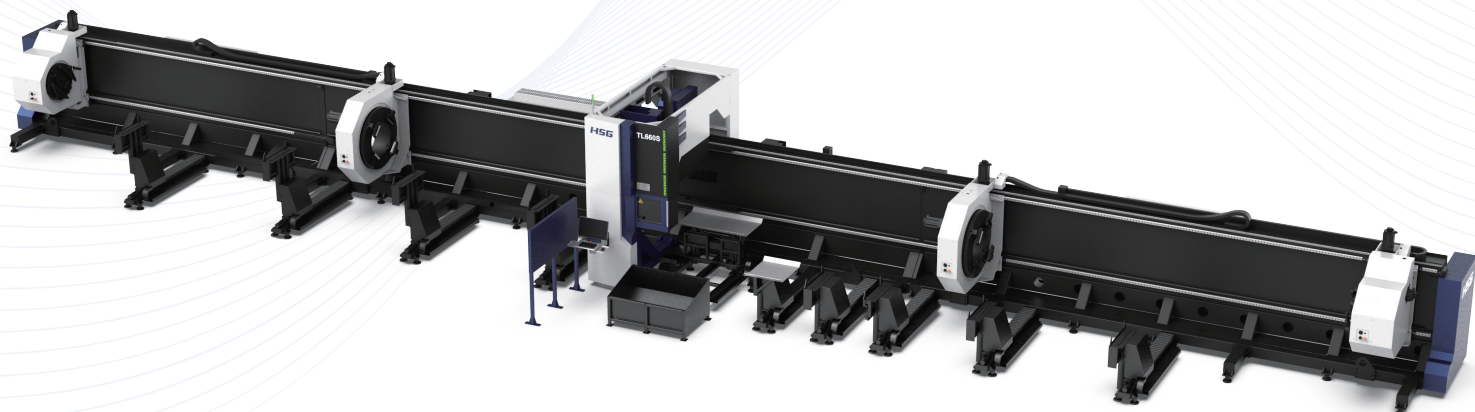




Cutting | Bending | Welding | Automation



# TL

❖ Four-chuck Heavy-duty Tube Laser Cutting Machine ❖

## Company Culture



### MISSION

Intelligent manufacturing changes future



### VALUES

Customer-focused and employee-based



### VISION

Become a respectable enterprise in the global metal forming equipment field

## Company Profile



19

Global Branches



100+

Countries Covered



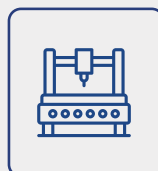
4

Manufacturing Bases



30+

Global Service Centers



8,000+

Annual Capability



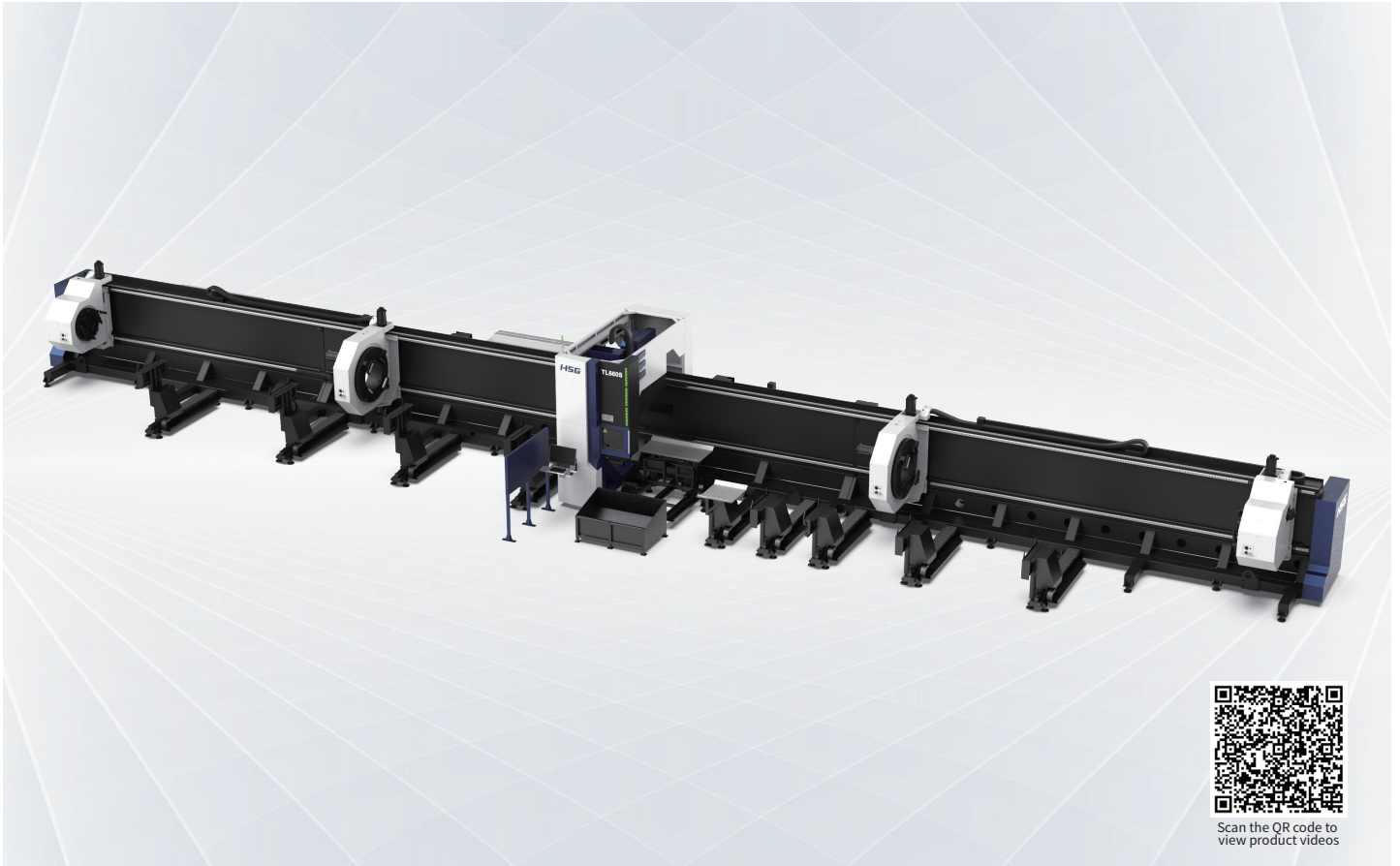
135,000m<sup>2</sup>

Occupied Area



# TL 6000-12000W

## Four-chuck Heavy-duty Tube Laser Cutting Machine



Scan the QR code to view product videos

### Technical Parameters

Technical Parameter	TL360-12	TL660-12
Power	6000-12000W	6000-12000W
Rotating Speed of Chucks	60r/min	30r/min
Max. Linkage Speed	80m/min	50m/min
Max. Linkage Acceleration	0.6G	0.2G
X/Y-axis Positioning Accuracy	±0.05mm/m	±0.01mm/m
X/Y-axis Repositioning Accuracy	±0.05mm	±0.01mm
*Tailing Length	0	0
Cutting Capacity	Round tubeΦ40 - Φ360mm Square tube□40-250mm Diagonal≤360mm and Side Length ≥40mm	Round tubeΦ80 - Φ660mm Square tube□80*80 - □450*450mm Diagonal≤660mm and Side Length ≥80mm
Weight of Single Tube	1000kg	3000kg
Overall Dimensions(L*W*H) with Loading Racks	27000*5000*3100mm	29000*6000*4000mm
The range of pipe material	2000-12000mm	3000-12000mm

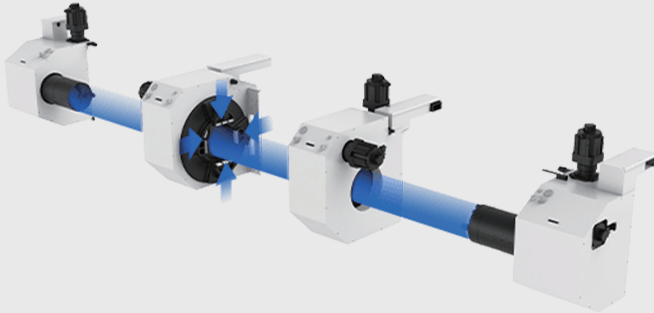
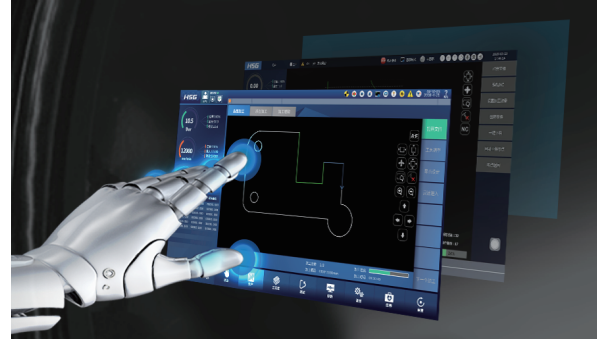
\*Only when the nesting material is reasonable can it be achieved

\* Machine appearance, technical parameters, function description, data comparison shown in this page are from HSG in-house laboratory.

All testing results and experimental data shall be subject to real machine.

## X9800 Bus-based Tube Cutting Control System

- Simple Interface  
Clear interface is convenient for users operating and shows cutting data in real time to save time and costs.
- Functional Integration Control  
A number of core functions are showed centrally on the interface to reduce operating steps and users can easily learn to operate.

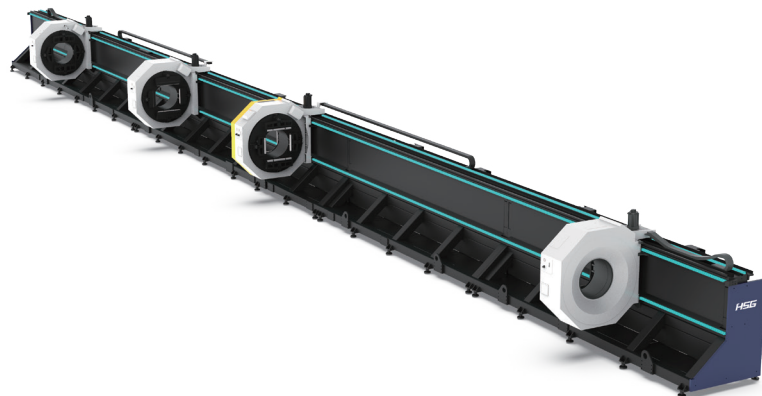


## Four Chucks Structure

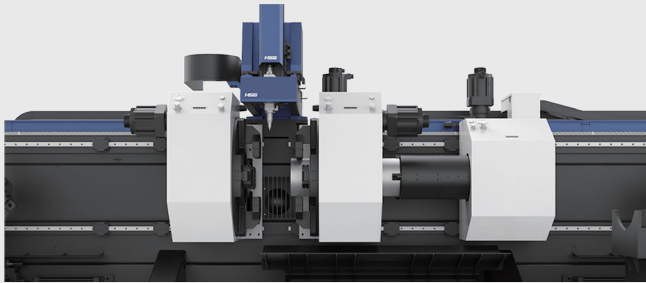
- HSG launches the first generation of four-chucks heavy-duty tube laser cutting machine in 2019, laying a groundwork for cutting heavy, large and long tube stably.
- Heavy-duty pneumatic chucks for stable clamping .
- Maximum clamping diameter: 500mm (Round Tube).
- Single tube bearing: 1200Kg.

## 4+1 Full-track Portable Chuck Structure

- Weight Capacity: 4000KG
- Clamping Range



(Model:TL660)



## Cut with Short Tailings

- Four chucks combine ordinate cutting with various clamping types to achieve short tailing and improve material utilization ratio.
- Notes: When work procedures are well arranged, zero tailing comes true.

## Power-off Cutting Restart Technology Database

- Foreign-imported servo motor contains an absolute encoder to offer power-off cutting restart function, namely, users only need to click to restart the cutting and power failure will not be worried.



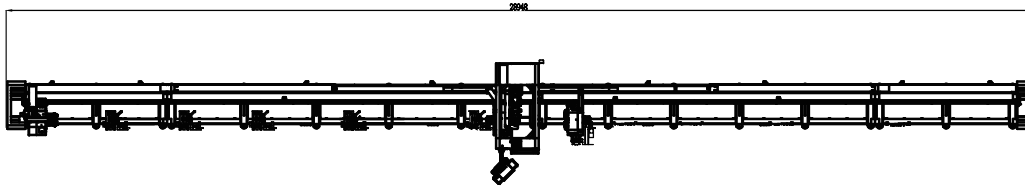
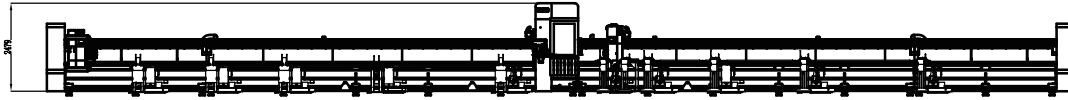
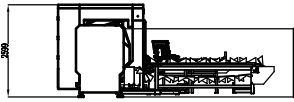
## Various Tube Processing Functions

- Space leapfrog and fly cutting, in favor of the decrease of idle running of cutting head and the increase of cutting efficiency  
Restart to cut from break-point, with less material waste
- Four-side centering for high cutting precision
- Smart typesetting algorithm to enhance material utilization



## Machine Foundation

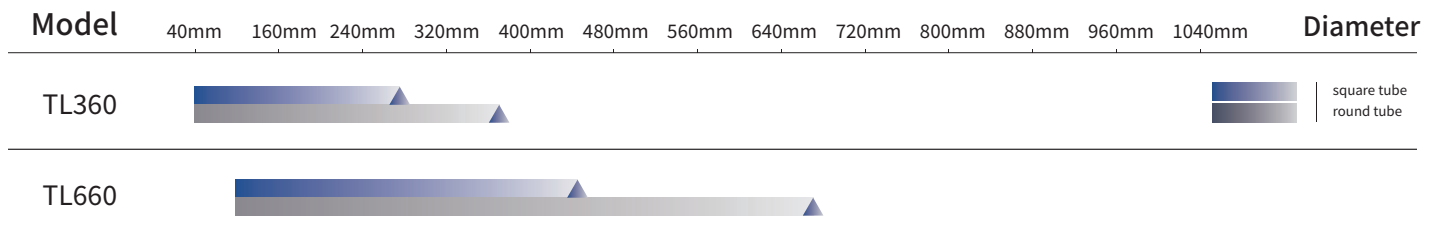
\*The marked size has about 10mm error  
 \*Pictures of TL660 are for reference only and subject to actual dimensions.  
 \*The dimensions of the standard configuration of the machine are for reference only.  
 Please refer to the three views of the order configuration for the actual machine dimensions.



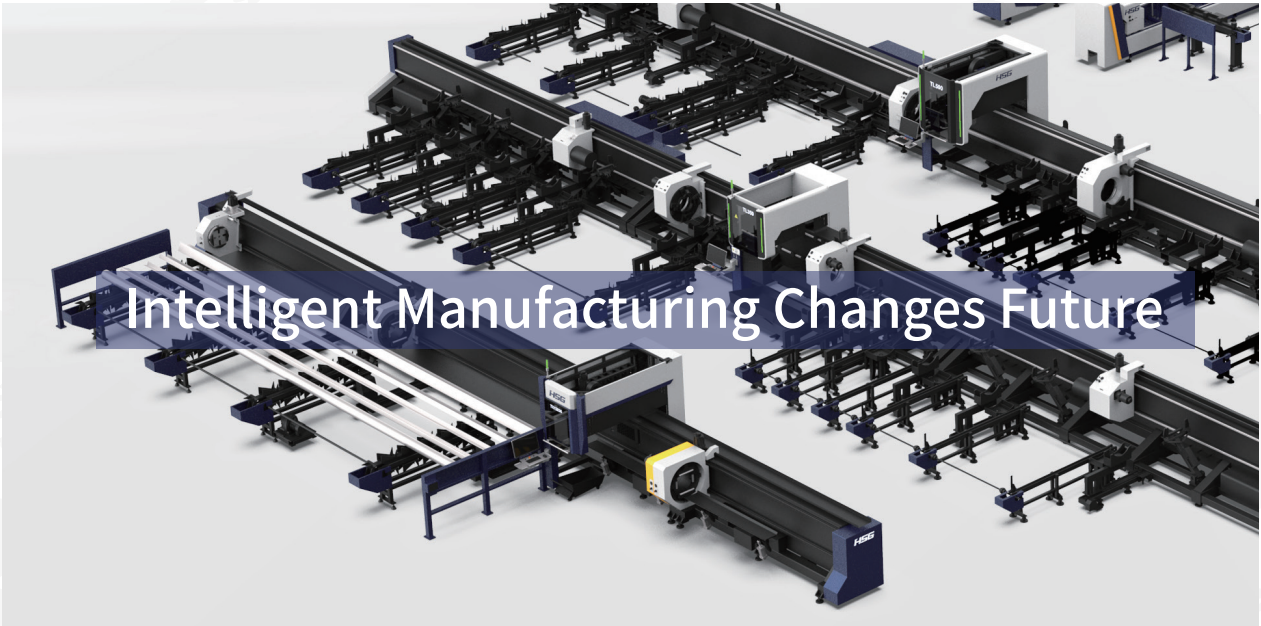
## Cutting Samples



## Cutting Capacity



The actual machines shall prevail and above data & pictures are only for reference.



# Intelligent Manufacturing Changes Future



**As a global enterprise, HSG sticks to providing professional and convenient service support to customers at home and board**



## Professional Training

Multiple technical training service and free operation training for customers and dealers in time



## Efficient Support

Humanistic service model, online services and 7\*24 hotline to offer solutions and assistance



## Optimized Transport

Multi-channel transport solutions and professional transport solution team will provide various transport cases for to satisfy the demand of customers and save transports fees



## Sufficient Accessories

Highly efficient accessories delivery service, multiple network inventory jointly responds to accessories demand to shorten customer's waiting times and accelerate production



## Careful Services

Domestic door-to-door service and free proofing, global 100+dealers provide efficient and convenient services



Intelligent Manufacturing Changes Future



Website



Facebook



Youtube

Headquarters Add.: No. 4, Anye Road, Shunjiang Community Industrial Park,  
Beijiao Town, Shunde District, Foshan, Guangdong, China  
Website: [www.hsglaser.com](http://www.hsglaser.com)  
Email: [info@hsglaser.com](mailto:info@hsglaser.com)  
Tel: +86 757-66833906