



www.pyradia.com



**MODULAR DUST COLLECTORS
& DOWNDRAFT TABLES**

The RG Series

**WOODWORKING
COARSE & FINE DUST**

**INDUSTRIAL
FUME & FINE DUST**

AIR FILTRATION

DESIGNED FOR SAFE INTERIOR INSTALLATIONS

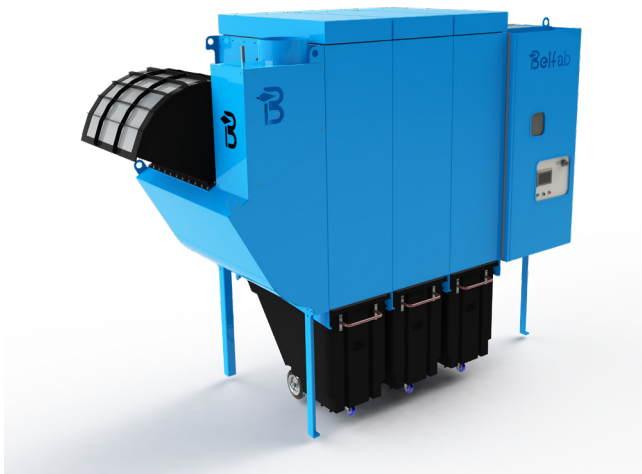
The **RG Series** from Belfab is an enclosed type modular dust collector equipped with a continuous pulse jet cleaning system with capacities ranging from **1500 to 5000 CFM** and designed to meet the most stringent North American safety regulations for an indoor installation by incorporating **flameless venting** and a **fire extinguishing system** as a standard.

The RG series is ideal for collecting fine particle dust generated by sanders or CNC machining centers or any types of dust generated by a wide range of woodworking applications. The RG is built using **Belfab's modular technology**, making it possible to achieve the most optimal filtration ratio and comes with Belfab's popular **patented plastic tilt truck dust disposal** system, which allows for an easy dust removal.

The RG series incorporates a hinged cover and access doors providing easy maintenance to the filter bags and fan motor and can be equipped with **Wireless Communication** options that will report any abnormal conditions via email or SMS.



- **DESIGNED FOR SAFE INTERIOR INSTALLATION**
- **MEETS NORTH-AMERICAN STANDARDS**
- **OPERATOR-FRIENDLY INTERFACE**
- **ENERGY EFFICIENT**
- **MODULAR TECHNOLOGY**
- **VFD CONTROLLED FAN**
- **QUIETEST OPERATION**



FEATURES

- Automatic pulse jet cleaning system
- 14 cu. ft. plastic tilt truck dust disposal system
- Automatically activated with the start of your shop's equipment
- Premium efficiency TEFC motor
- Lockable control panel for maintenance
- Fan located on the clean side
- CSAus approved

Belfab improves its products continuously and may change the specifications without notice.

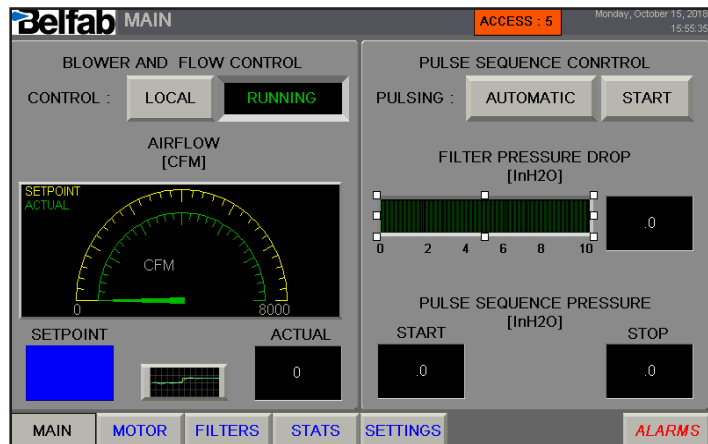
MODULAR DUST COLLECTORS RG SERIES



OPERATOR-FRIENDLY INTERFACE

We developed an operator-friendly interface that offers real-time monitoring and displays the dust collector's performance diagnostics. Some of the available features that can be found on the RG's operator interface include:

- Power consumption
- Amperage in real-time
- Filter differential static pressure
- CFM in real-time
- Status alarms
- Maintenance warnings
- Easy start/stop buttons



HMI main screen

APPLICATIONS

- Sanding applications
- Cutting applications
- Molding applications
- Milling applications
- CNC machines centers

BLOWER FEATURES

- Applications ranging from 5 to 20 HP
- Backward inclined centrifugal fan
- Variable frequency drive controlled
- Frequency inverter with CFM set point

PTFE MEMBRANE FILTER BAGS

- 99.9982% efficiency level at 0.5 microns
- Improves pulse cleaning efficiency
- Can process extra fine dust to coarse dust

SAFETY ACCESSORIES

- Flameless venting
- Spark detection and extinguishing system (FM approved)
- Backdraft damper (option)

Belfab improves its products continuously and may change the specifications without notice.

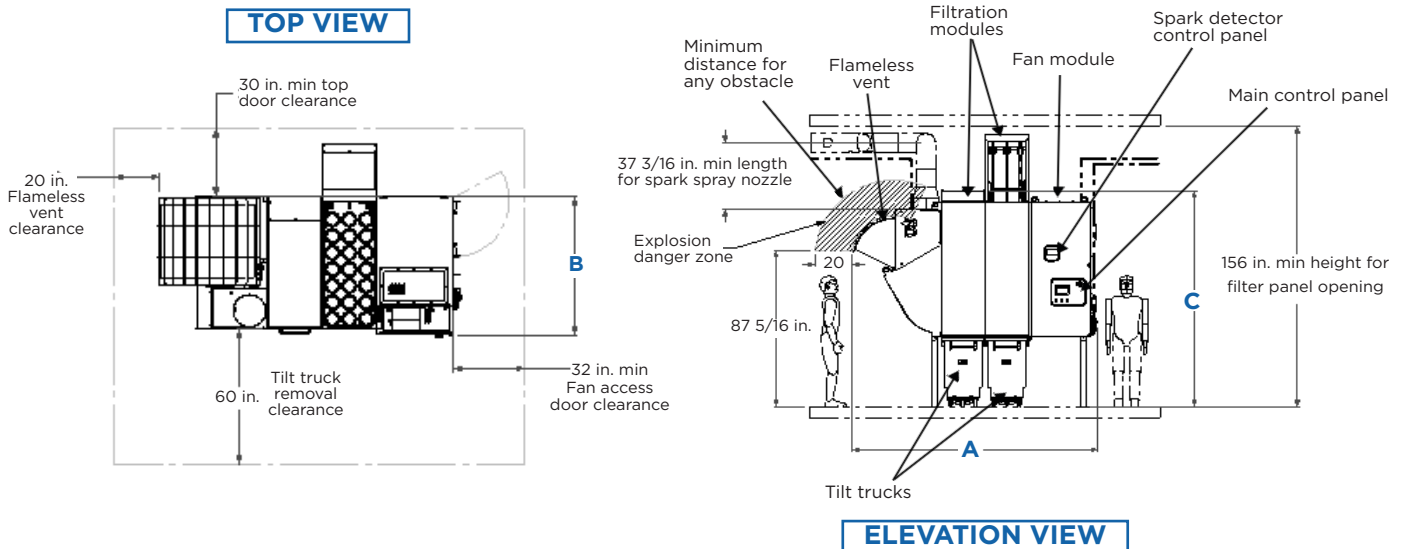


Belfab is a division of Pyradia Inc.

5125 J.-A. Bombardier, St-Hubert, J3Z 1G4, QC, Canada

Tel: 1-866-4BELFAB Fax: 1-450-463-3252 – www.pyradia.com sales@pyradia.com

MODULAR DUST COLLECTORS RG SERIES



SPECIFICATIONS

Number of filter modules	1	1	2	2	3	3	4	4
Filtration surface (sq.ft)	136	136	272	272	408	408	544	544
Dimensions (A X B X C)	106x61x121	106x61x121	131x61x121	131x61x121	155x61x121	155x61x121	179x61x121	179x61x121
Blower motor (HP)	5	7.5	7.5	10	10	15	15	20
Capacity (CFM)	1500	2000	2000	2500	2500	4000	4000	5000
Filtration ratio	11	14.7	7.35	9.2	6.12	9.8	7.35	9.1
Static pressure (in.w.g.)	8 (11)	9 (12)	9 (12)	9 (12)	9 (12)	10 (13)	10 (13)	13 (16)
Inlet diameter (in.)	14	14	14	14	14	14	14	14
Weight (lbs)	2240	2240	2735	2735	3230	3230	3725	3725

OPTIONS

- Wifi communication and SMS or email notifications
- Dust level detection and alert display
- Remote start/stop box

SAFETY STANDARDS AND REGULATIONS: The RG dust collector from Belfab is equipped with all the necessary safety accessories in order to comply with NFPA 664, 654, and 68 which permit inside installation of adequately designed enclosed type dust collector systems that produce a maximum of 5000 CFM. Consult NFPA regulations for more details. Also, consult your local authorities to verify all governing codes and regulations that apply in your locality in regards to the use of enclosed type dust collectors. It is the buyer's responsibility to follow all applicable national, local codes and regulations for installation and system operation.

Belfab improves its products continuously and may change the specifications without notice.



Belfab is a division of Pyradia Inc.

5125 J.-A. Bombardier, St-Hubert, J3Z 1G4, QC, Canada

Tel: 1-866-4BELFAB Fax: 1-450-463-3252 – www.pyradia.com sales@pyradia.com